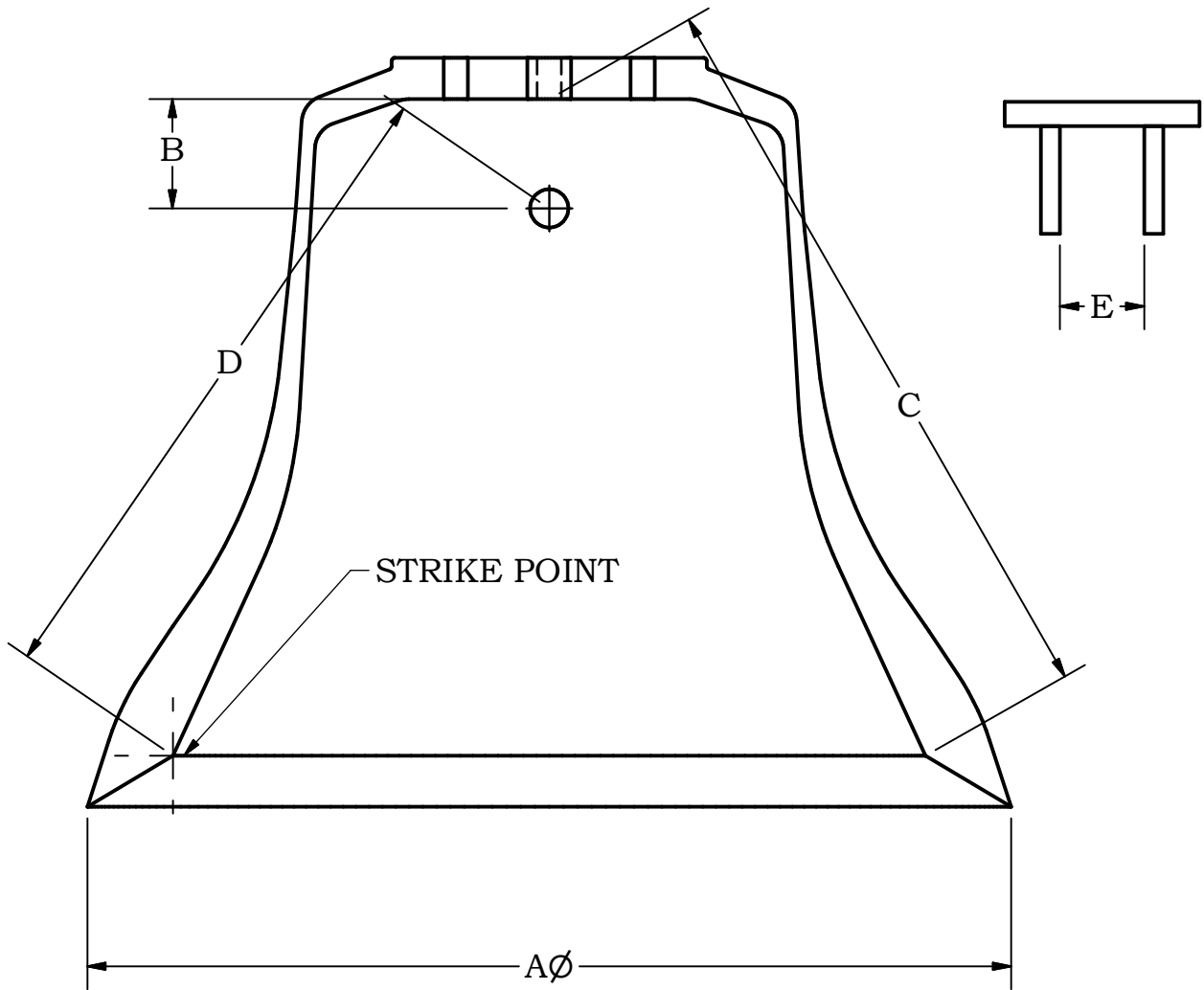


# SWINGING CLAPPER SURVEY

⊕ All dimensions are required

⊕ Mark unsure of accuracy of dimension with \*

⊕ Provide photo of bell mounting and inside headpiece



 <b>Chime Master®</b> P.O. Box 936 Lancaster, Ohio 43155 800.344.7464  help.chimemaster.com	LOCATION			
	FOUNDRY			YEAR
	MOUNTING MATERIAL	Bell	Bronze Iron	BELL NUMBER
	TECH.		DATE	
	DOC#	CUSTOMER NUMBER		REV
<b>ES11667</b>				