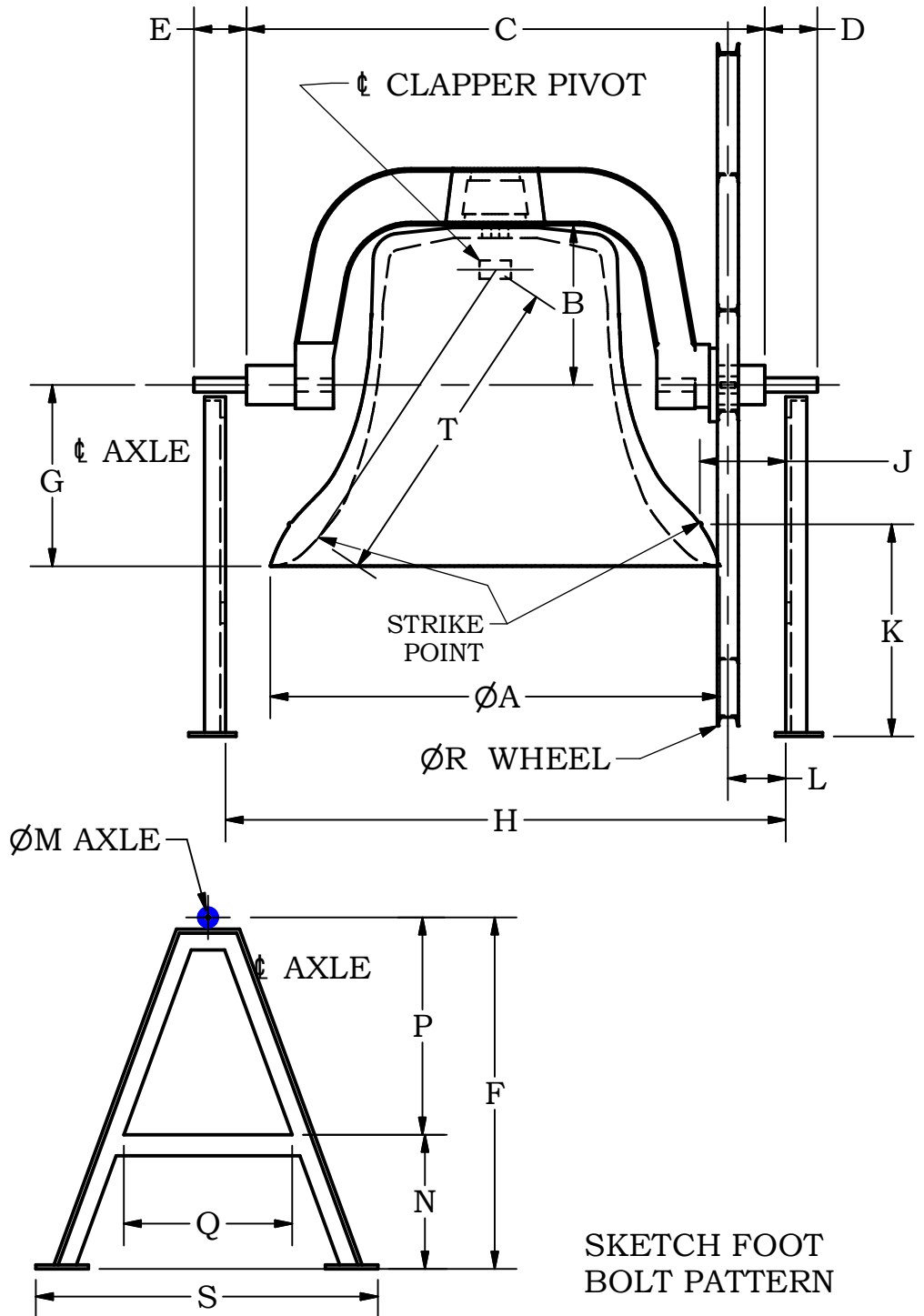


BELL ASSEMBLY SURVEY

TAKE A LOT OF DETAILED PHOTOS

LTR	DIM
AØ	
B	
C	
D	
E	
F	
G	
H	
J	
K	
L	
MØ	
N	
P	
Q	
RØ	
S	
T	



 Chime Master® P.O. Box 936 Lancaster, Ohio 43155 800.344.7464 help.chimemaster.com		LOCATION			
		FOUNDRY		YEAR	
		MOUNTING MATERIAL	Bell	Bronze Iron	BELL NUMBER
		TECH.		DATE	
DOC# / DWG # ES11664		CUSTOMER NUMBER		REV	