

Chain-stud L-brackets mount on the opposite side of the wheel than where the motor is mounted. (indicated by line of symmetry)

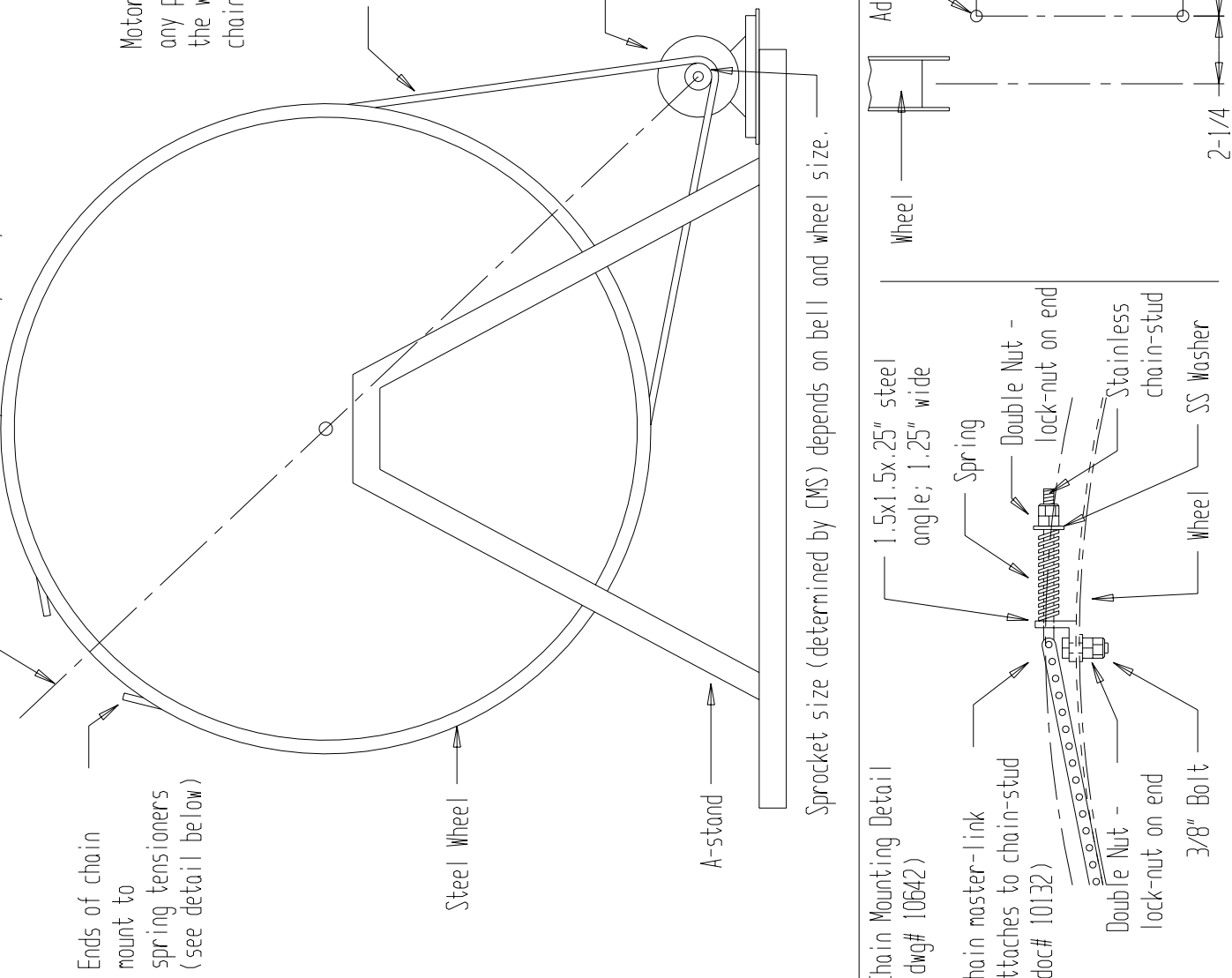
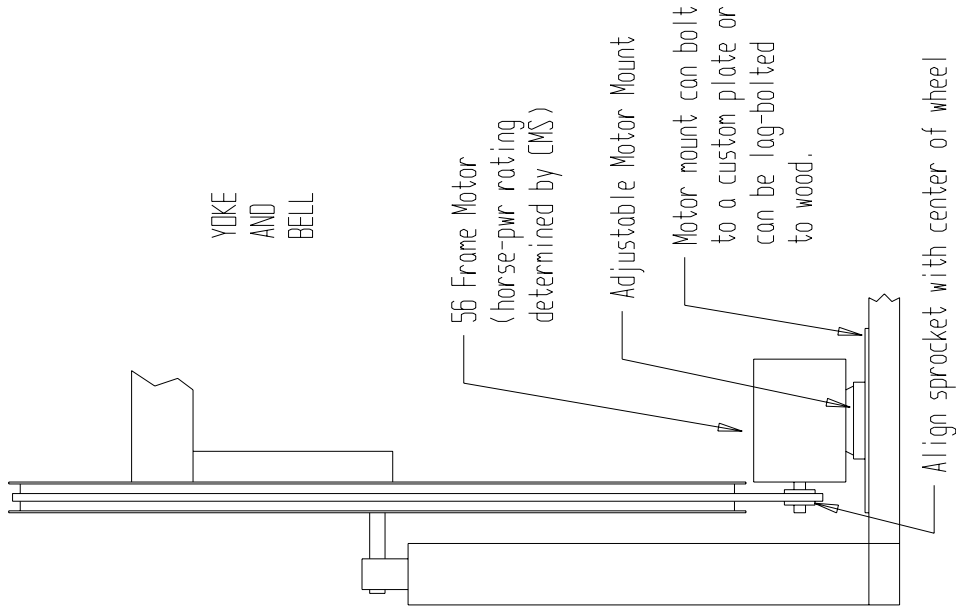
Ends of chain mount to spring tensioners (see detail below)

Motor can mount at any position around the wheel, allowing chain clearance.

Chain length determined by wheel diameter and motor placement.

Mount motor such that chain forms angle approx 90deg or less.

Sprocket size (determined by CMS) depends on bell and wheel size.



Chain Mounting Detail (dwg# 10642)

Chain master-link attaches to chain-stud (doc# 10132)

Adj. Motor-Mount Hole Placement

CHIME MASTER SYSTEMS 740-746-9181			
TITLE: 2052 Motorized Bell Swinger			
PN:	DWG# 10470	NOTE:	
DATE: 10/07/02	SCALE: 2:25	DRAWN BY: CW	
REVISION:	SIZE:	APPROVED BY:	