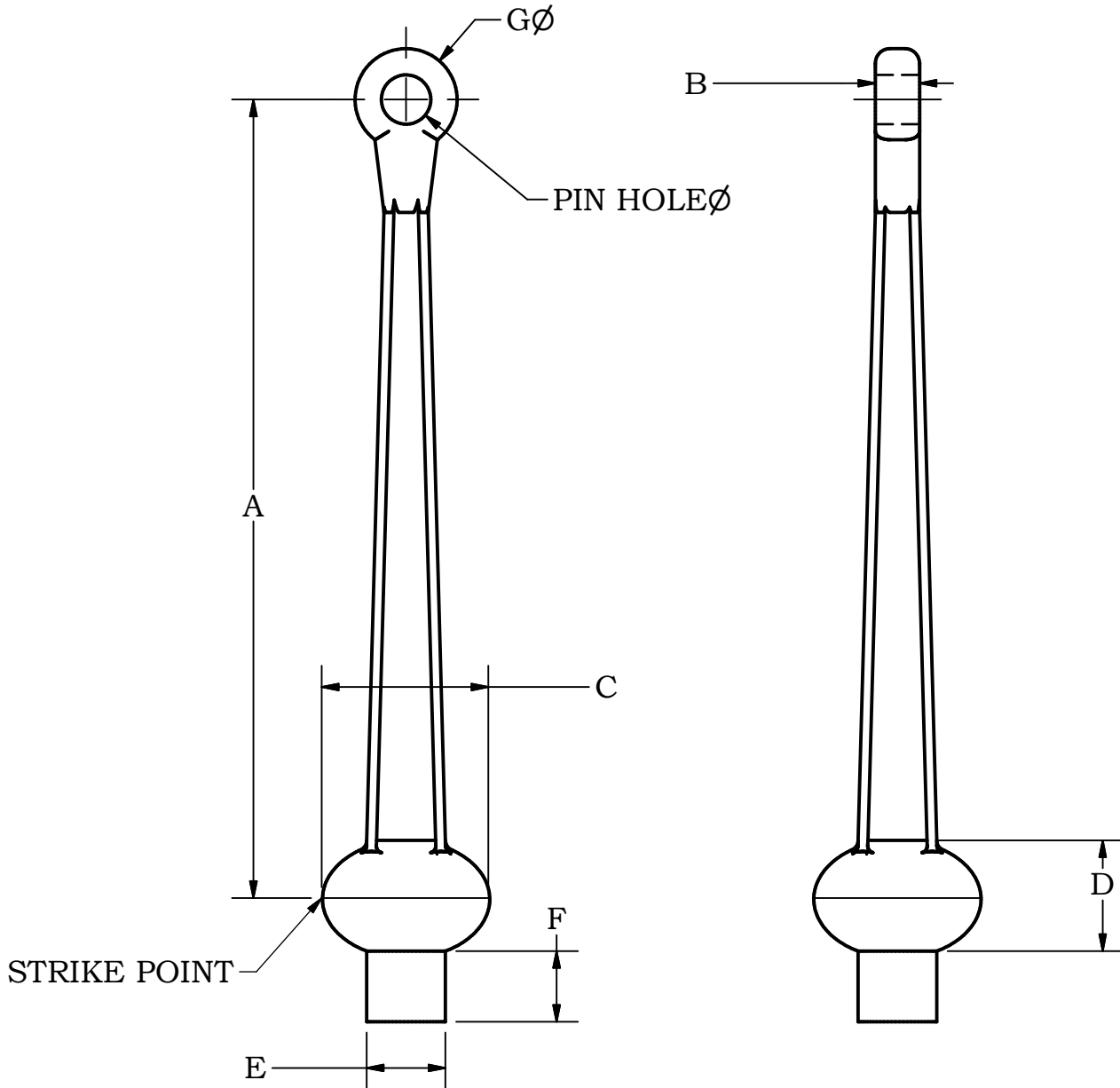


SWINGING CLAPPER DETAIL SURVEY

⊕ All dimensions are required

⊕ Mark unsure of accuracy of dimension with *

⊕ Provide photo of bell mounting and inside headpiece



 Chime Master® P.O. Box 936 Lancaster, Ohio 43155 800.344.7464 help.chimemaster.com				LOCATION				
				FOUNDRY			YEAR	
				MOUNTING MATERIAL		Bell	Bronze Iron	BELL NUMBER
				TECH.		DATE		
DOC# / DWG # ES11655			CUSTOMER NUMBER		REV			