

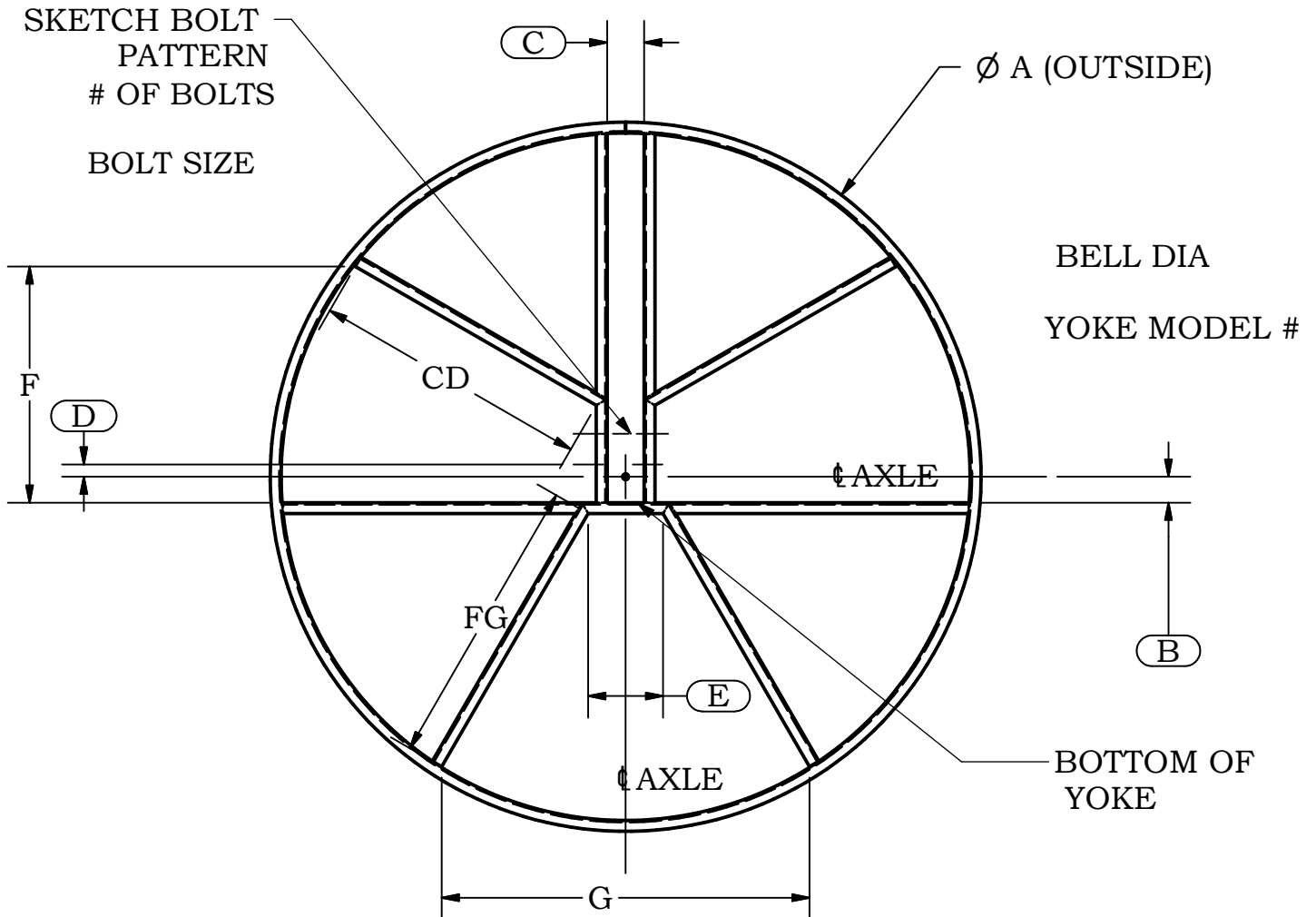
MENEELY-TROY WHEEL SURVEY

⊕ All dimensions are required, Dim in balloon are critical

⊕ Mark unsure of accuracy of dimension with *

⊕ Provide Survey of yoke wheel mtg detail

⊕ Provide photo of wheel mounting and yoke detail



REPLACEMENT WHEEL TO BE SPLIT IN HALF OR ONE PIECE

 Chime Master® P.O. Box 936 Lancaster, Ohio 43155 800.344.7464 help.chimemaster.com		LOCATION			
		FOUNDRY		YEAR	
		MOUNTING MATERIAL	Bell	Bronze Iron	BELL NUMBER
		TECH.		DATE	
		DOC# / DWG # ES11665		CUSTOMER NUMBER	REV