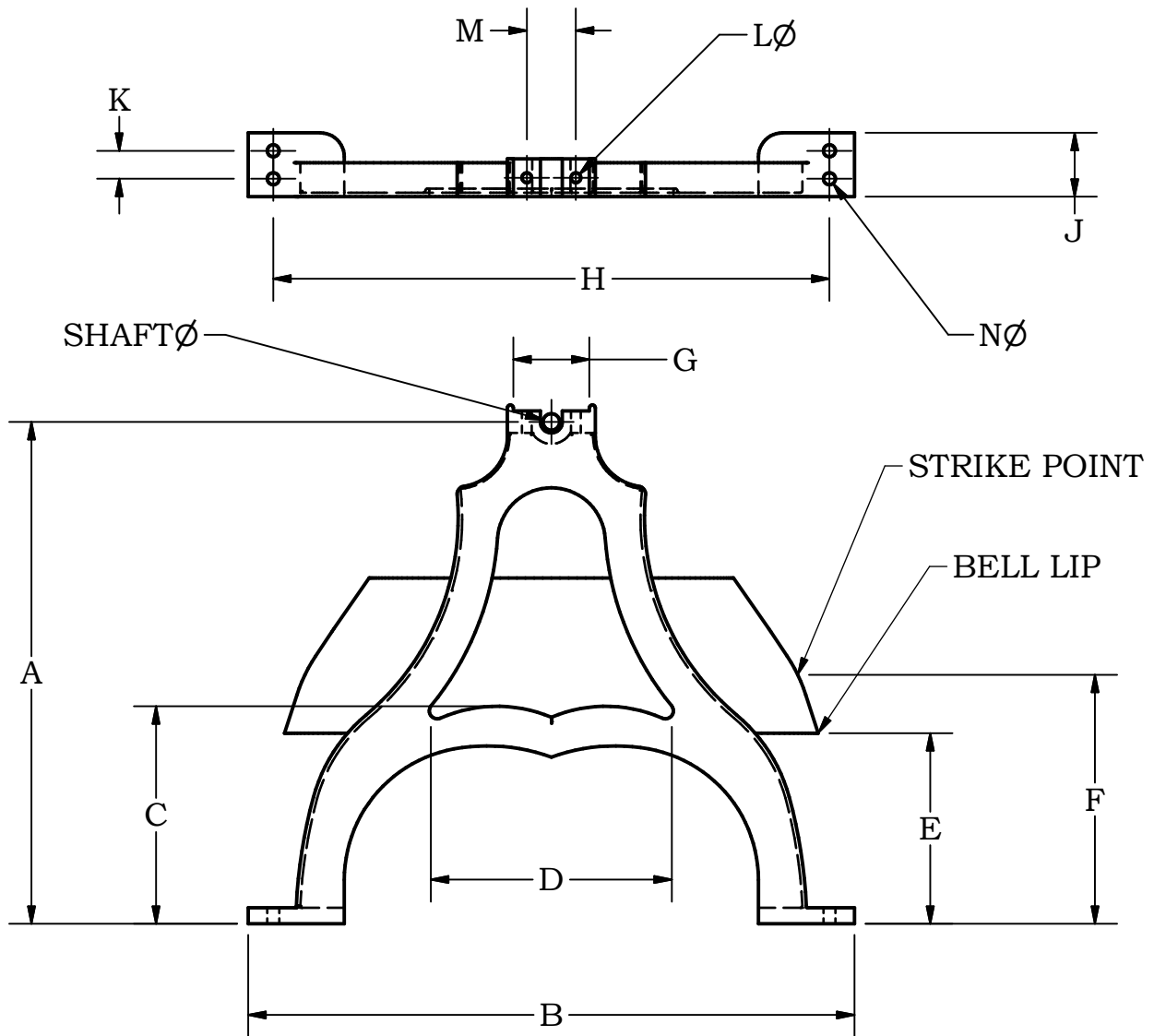


# A-STAND RECESS SHAFT SURVEY

⊕ All dimensions are required

⊕ Mark unsure of accuracy of dimension with \*

⊕ Provide photo of A-Stand



 <b>Chime Master®</b> P.O. Box 936 Lancaster, Ohio 43155 800.344.7464 help.chimemaster.com	LOCATION			
	FOUNDRY		YEAR	
	MOUNTING MATERIAL	Bell	Bronze Iron	BELL NUMBER
	TECH.		DATE	
	DOC# / DWG # ES11671		CUSTOMER NUMBER	
			REV	