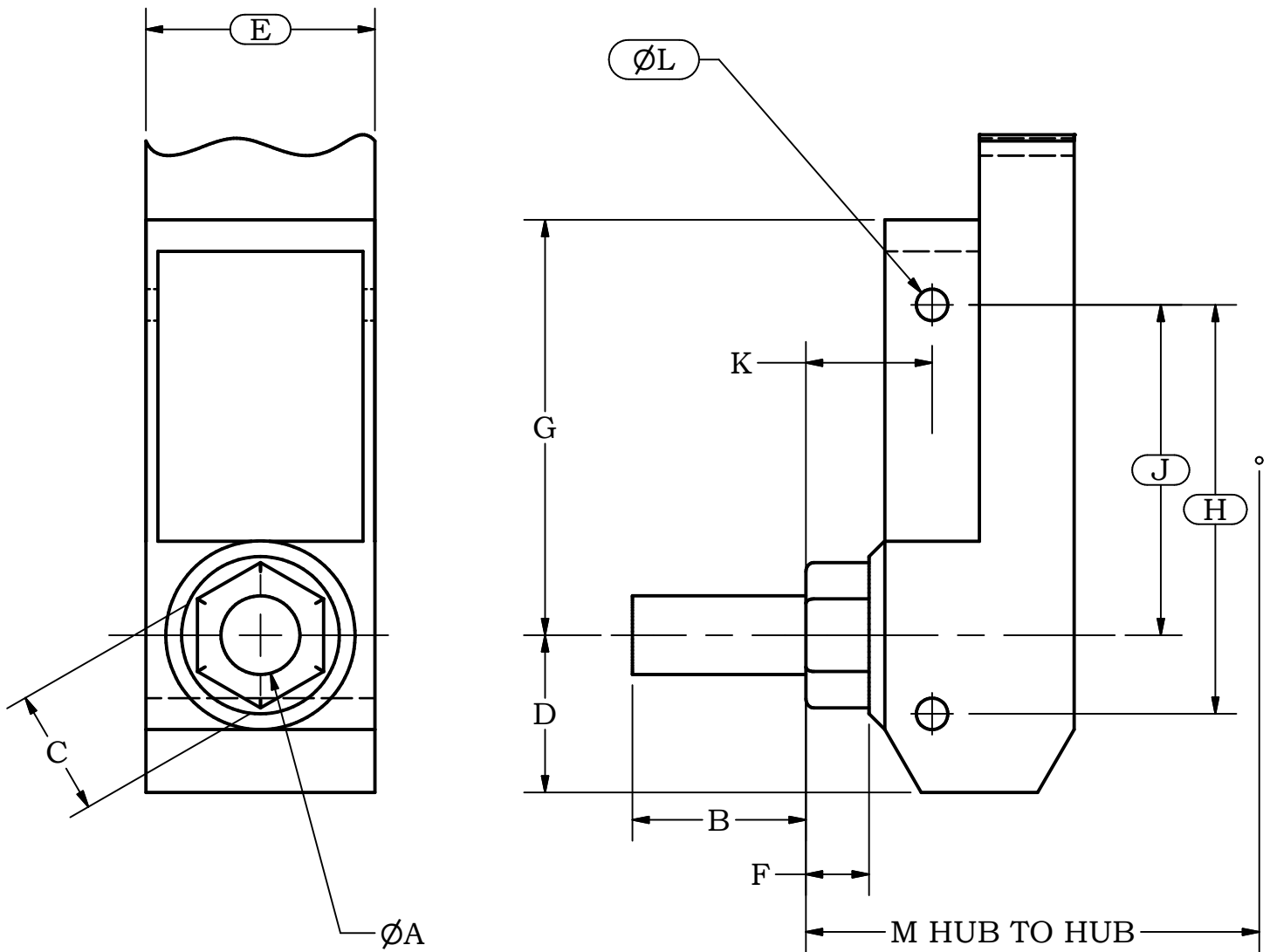


# MENEELY-TROY YOKE DETAIL SURVEY

⊕ All dimensions are required

⊕ Mark unsure of accuracy of dimension with \*

⊕ Provide photo of bell mounting and inside headpiece



CRITICAL DIMENSION IN ( )

 <b>Chime Master®</b> P.O. Box 936 Lancaster, Ohio 43155 800.344.7464 help.chimemaster.com		LOCATION			
		FOUNDRY		YEAR	
		MOUNTING MATERIAL	Bell	Bronze Iron	BELL NUMBER
		TECH..		DATE	
		DOC# / DWG # ES11661		CUSTOMER NUMBER	REV