

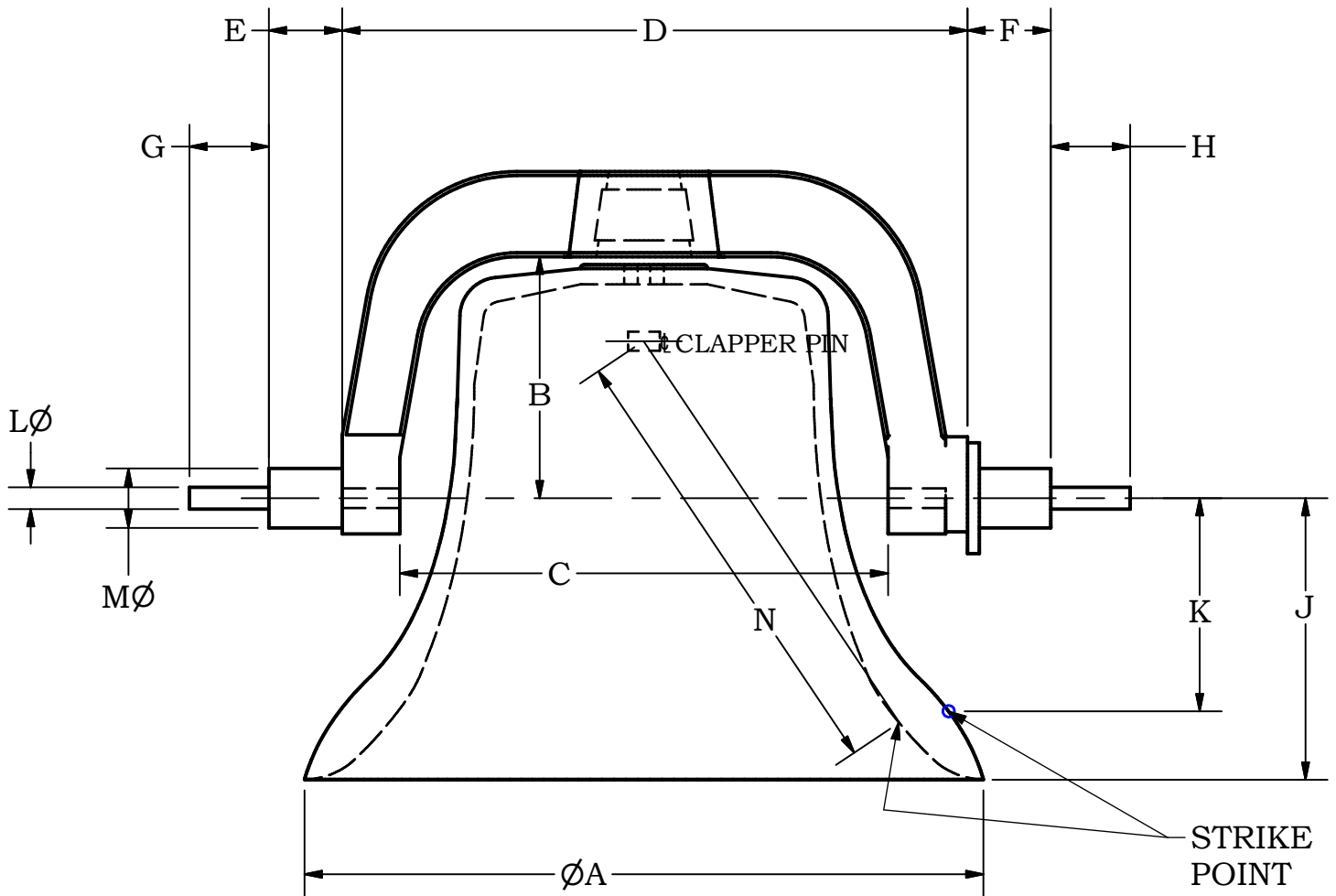
YOKE SURVEY-CONE TOP

⊕ All dimensions are required

⊕ Mark unsure of accuracy of dimension with *

⊕ Provide photo of bell mounting, inside headpiece and wheel mounting

⊕ Fill out Yoke Detail Sheet



 Chime Master® P.O. Box 936 Lancaster, Ohio 43155 800.344.7464 help.chimemaster.com		LOCATION			
		FOUNDRY		YEAR	
		MOUNTING MATERIAL	Bell	Bronze Iron	BELL NUMBER
		TECH..	DATE		
DOC# / DWG # ES11657		CUSTOMER NUMBER	REV		