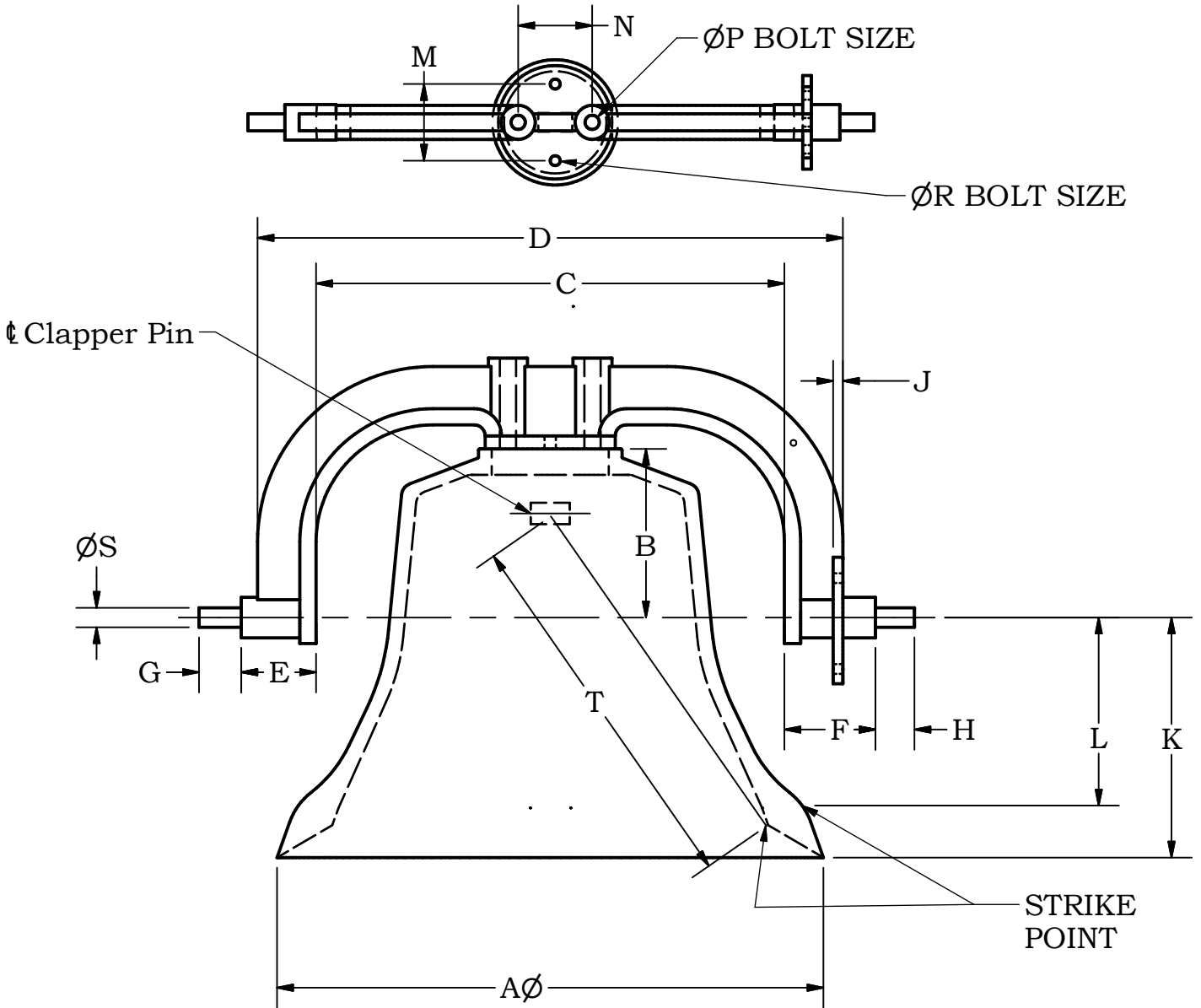


VAN DUZEN YOKE SURVEY

- 1 All dimensions are required
- 2 Mark unsure of accuracy of dimension with *
- 3 Provide photo of bell mounting, inside headpiece and wheel mounting
- 4 Also use VanDuzen Yoke Detail Sheet Doc# ES11659



 <h2 style="margin: 0;">Chime Master®</h2> <p style="margin: 0;">P.O. Box 936 Lancaster, Ohio 43155 800.344.7464</p> <p style="margin: 0;">help.chimemaster.com</p>	LOCATION				
	FOUNDRY VanDuzen		YEAR		
	MOUNTING MATERIAL	Bell	Bronze Iron	BELL NUMBER	
	TECH.		DATE		
	DOC# / DWG # ES11658		CUSTOMER NUMBER		REV